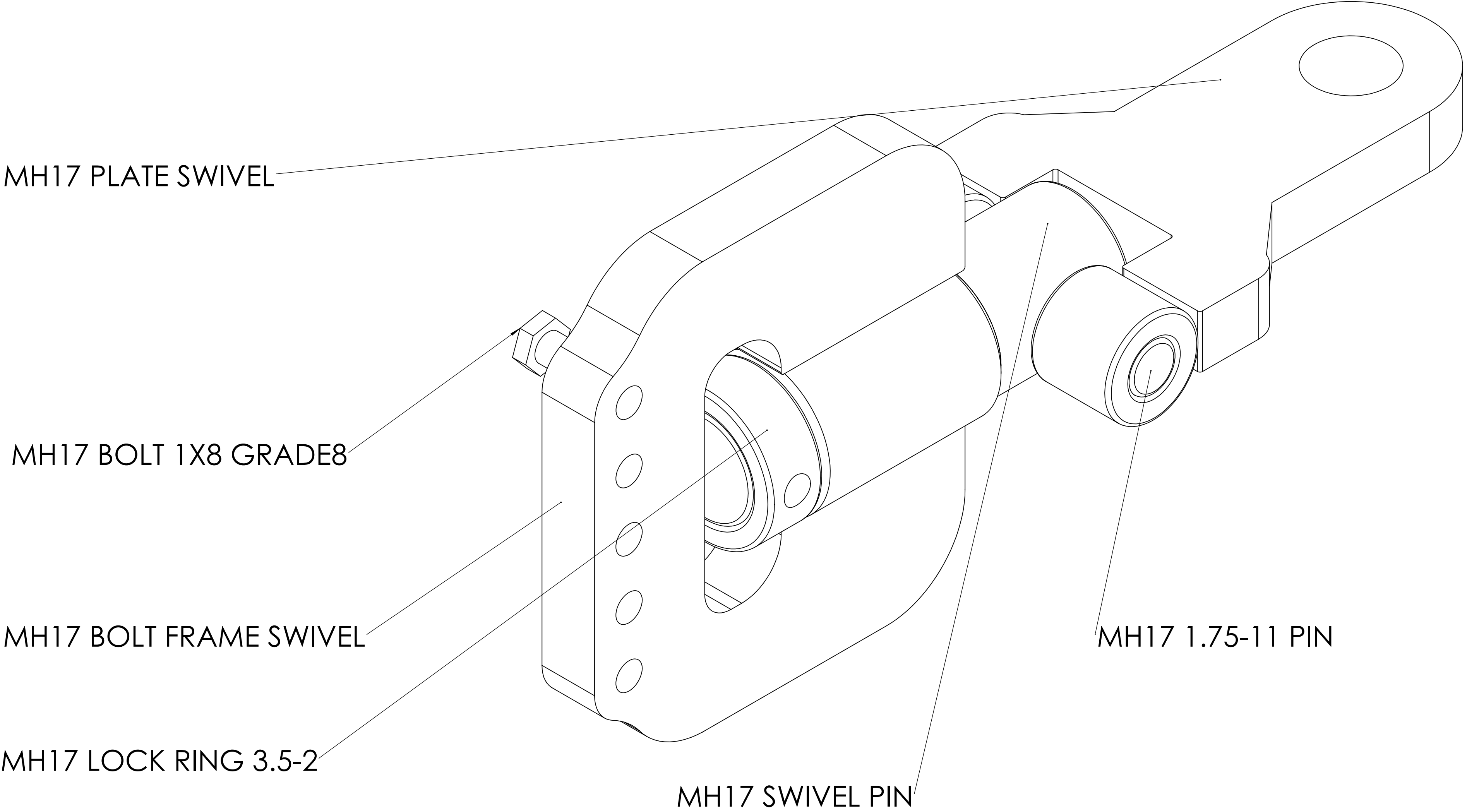


MH17 SWIVEL HITCH CAT 5



MH17 PLATE SWIVEL

MH17 BOLT 1X8 GRADE8

MH17 BOLT FRAME SWIVEL

MH17 LOCK RING 3.5-2

MH17 SWIVEL PIN

MH17 1.75-11 PIN

UNLESS OTHERWISE SPECIFIED: DIMENSIONS ARE IN MILLIMETERS		FINISH:	DEBURR AND BREAK SHARP EDGES		DO NOT SCALE DRAWING	REVISION
SURFACE FINISH:						
TOLERANCES:						
LINEAR:						
ANGULAR:						
NAME	SIGNATURE	DATE			TITLE: Manco Mfg INC	
DRAWN						
CHEK						
APPVD						
MFG						
Q.A.						
				MATERIAL:	DWG NO.	A1
					SCALE:1:1	SHEET 1 OF 1